

QST BRAND



75 kVA

FE-QST 75

TECHNICAL SPECIFICATIONS



FE-QST 75

INDUSTRIAL DIESEL GENERATOR



Water Cooled



Easy Maintenance



50 Hz



Three-Phase



Diesel



Alarm Warning System

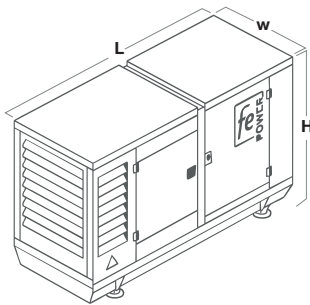
GENERATOR SET FEATURES

	kVA	kW	Amper	V	r.p.m	Cos Phi
STANDBY POWER	75	60	108			
PRIME POWER	68	54.4	97.9	400/230	1500	0,8

Standby Power: It is a limited-time operating power source under variable load. It operates as a backup power source in case of mains outage

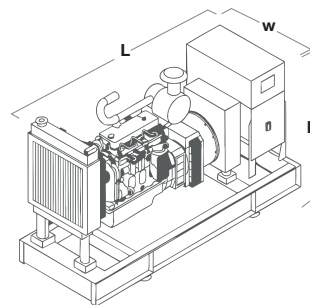
Prime Power: This is the power for continuous operation under variable load.
The average load value should be 70%. It can be overloaded by 10% for 1 hour in 12 hours.

PRODUCT DIMENSIONS



CANOPY FEATURES

Length (L)	2500 mm
Height (H)	1600 mm
Width (W)	1000 mm
Wet Weight	1145 kg
Fuel Tank Capacity	150 L



OPEN TYPE FEATURES

Length (L)	2500 mm
Height (H)	1400 mm
Width (W)	1000 mm
Wet Weight	895 kg
Fuel Tank Capacity	150 L

**ENGINE FEATURES**

Brand		QSTRONG
Model		ZH4105ZLD
Standby / Prime	(kW)	62 / 56
Rotations Per Minute	(r.p.m.)	1500
Total Displacement	(L)	3.9
Cylinders		4-IN LINE
Bore x Stroke	(mm x mm)	105 x 125
Compression Rate		17:1
Governor Type		MECHANICAL
Cooling Type		WATER COOLED
Spray Pattern		DIRECT
Electrical System	(V)	12
Oil Capacity	(L)	13
Cooling Water Capacity	(L)	17
Fuel Tank Capacity	(L)	150
Fuel Consumption 50 %	(L/h)	7.5
Fuel Consumption 75 %	(L/h)	11.2
Fuel Consumption 100 %	(L/h)	15

ALTERNATOR FEATURES

Output Voltage	(V)	400/230
Frequency	(Hz)	50
Automatic Voltage Regulation	(±)	1 %
Short Circuit Current		> 300 %
Insulation Class		H
Protection Class		IP 23
Efficiency	(%)	89.9
Overload Operating Time		110% IN 1 HOUR
Power Factor	(cos Ph)	0.8
Total Harmonic Distortion Ratio		THF < 2 %
Connection Type		STAR
Number of Poles		4
Number of Bearing		SINGLE

*4-pole, self-excited and cooled, brushless synchronous alternator * with electronic type automatic voltage regulator (AVR)

STANDARD FEATURES

- 4-Stroke 1500 R.P.M water-cooled heavy-duty diesel engine
- Dry type replaceable air filter
- Radiator capable of cooling up to 50 degrees outside temperature
- Flexible fuel hoses and oil drain valve
- Engine pre-heating resistance tube
- 4-pole synchronous type single bearing brushless alternator
- Battery system
- Electrostatic powder coated cabin made of steel sheet
- Fuel tank integrated into the chassis
- Industrial-type sound-dampening chamber exhaust system
- Electronic Battery Charger
- User and maintenance manual

OPTIONAL

- Sound insulation canopy
- Automatic Transfer Switch
- Output MCCB
- Trailer Type
- External Fuel Tank
- Fuel Tank Heater
- Oil pre-heater
- Analog type indicators
- 1-Phase & 3-Phase Socket Type
- Buzzer alarm integrated with controller

QUALITY STANDARDS

Our company has ISO 9001:2015, ISO 140001:2015, ISO 45001:2018 and 10002:2018 Certificates under Quality After-Sales, Environment, Occupational Health and Safety and Customer Satisfaction Management Systems. TSE-SSHYB After-Sales Service Competence Certificate

Standards, Quality Certificates and Directives Compatible with Generator Groups;

- TS ISO 8528-5 , TS EN ISO 8528-13
- TS EN ISO 9227 2000 hours Neutral salt spray test
- TS-EN 6004-1
- TS EN 88528-11
- TS 12650
- TS ISO 8528-1, TS ISO 8528-2, TS ISO 8528-3, TS ISO 8528-4, TS ISO 8528-5, TS ISO 8528-6, TS ISO 8528-8, TS ISO 8528-12
- TS EN 60034-22
- IEC 61439-1, IEC 61000-6-2:2019, IEC 55014-1:2021, IEC 55014-2:2021
- 2006/42/EC (AT) Machinery Safety Regulations
- 2000/14/AT Environmental Noise Emission Regulation
- 2006/95/EC Low Voltage Regulation
- 2014/35/EU Low Voltage Regulation
- 2014/30/EU (AB) Electromagnetic Compatibility Directive
- Our products have EAC Customs Certificate and CE certificate.

* Please contact us for detailed information about Quality Standards.

D-300 MK3

DATAKOM GENERATOR CONTROLLER

DATAKOM

Datakom D-300 MK3



CONTROL PANEL FEATURES

- Diesel and gas generator support
- Multiple automatic test programs
- Main power counter
- Up to 400Hz generator support
- Memory for more than 400 measurements and event records
- Setting a weekly work schedul
- Synchronous generator support
- Contactor and motorized switch actuation
- Easy access to the interface
- 128 x 64 pixel LCD screen
- Fuel fill meter
- Language installation
- Overpower protection
- Fuel consumption counter
- Current-voltage waveform
- Reverse power protection
- Current-voltage harmonic analysis
- Overcurrent IDMT protection
- Current unbalance protection
- Remote monitoring and control option
- IP65 protection (with gasket)
- Free configuration software
- Voltage unbalance protection
- Automatic GSM location determination
- Battery-backed real time clock
- Fuel fill and theft alarms
- GPS connection
- 4 configurable analog inputs
- Battle mode support
- Automatic fuel pump control
- Program encryption
- Downloading software via USB